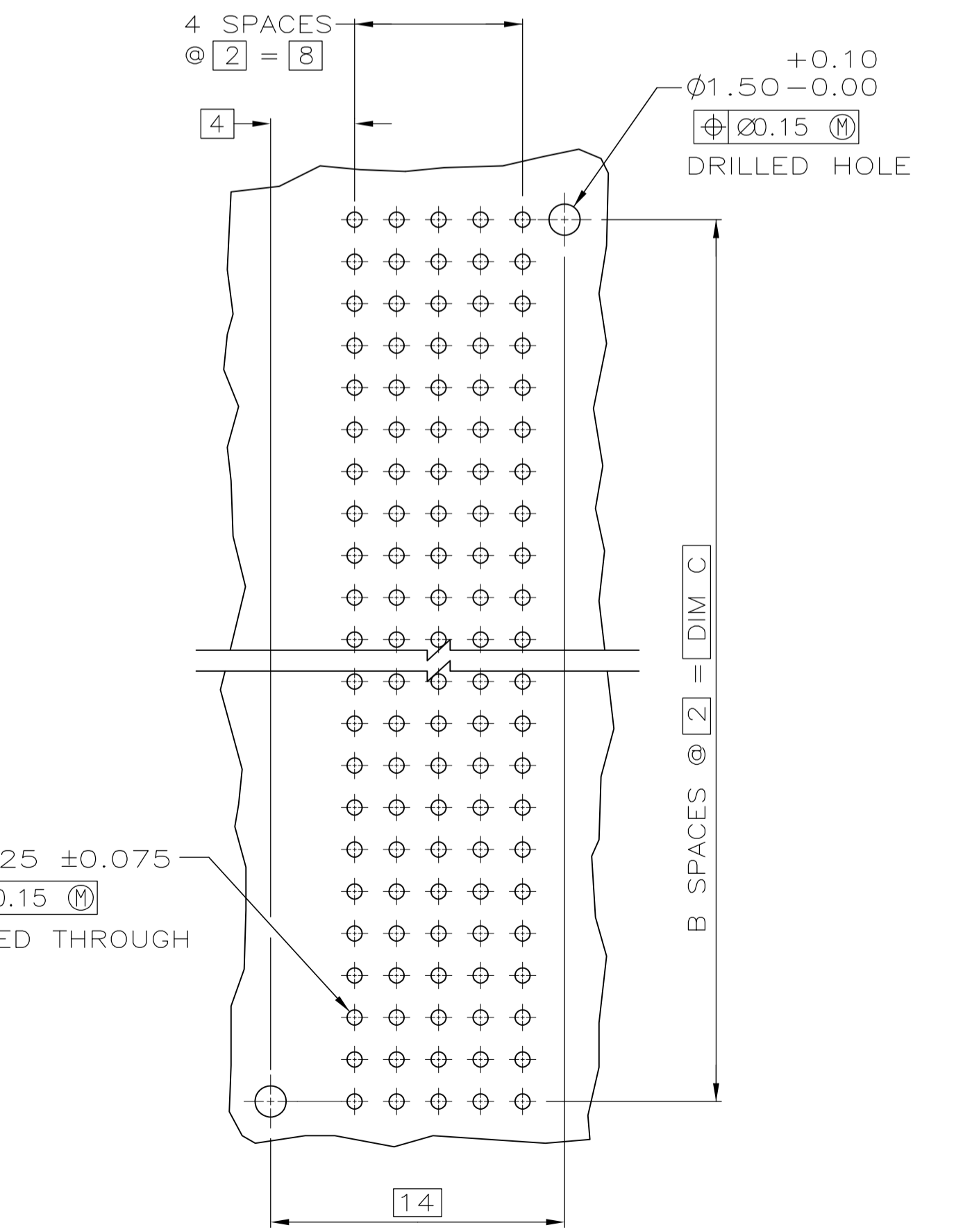
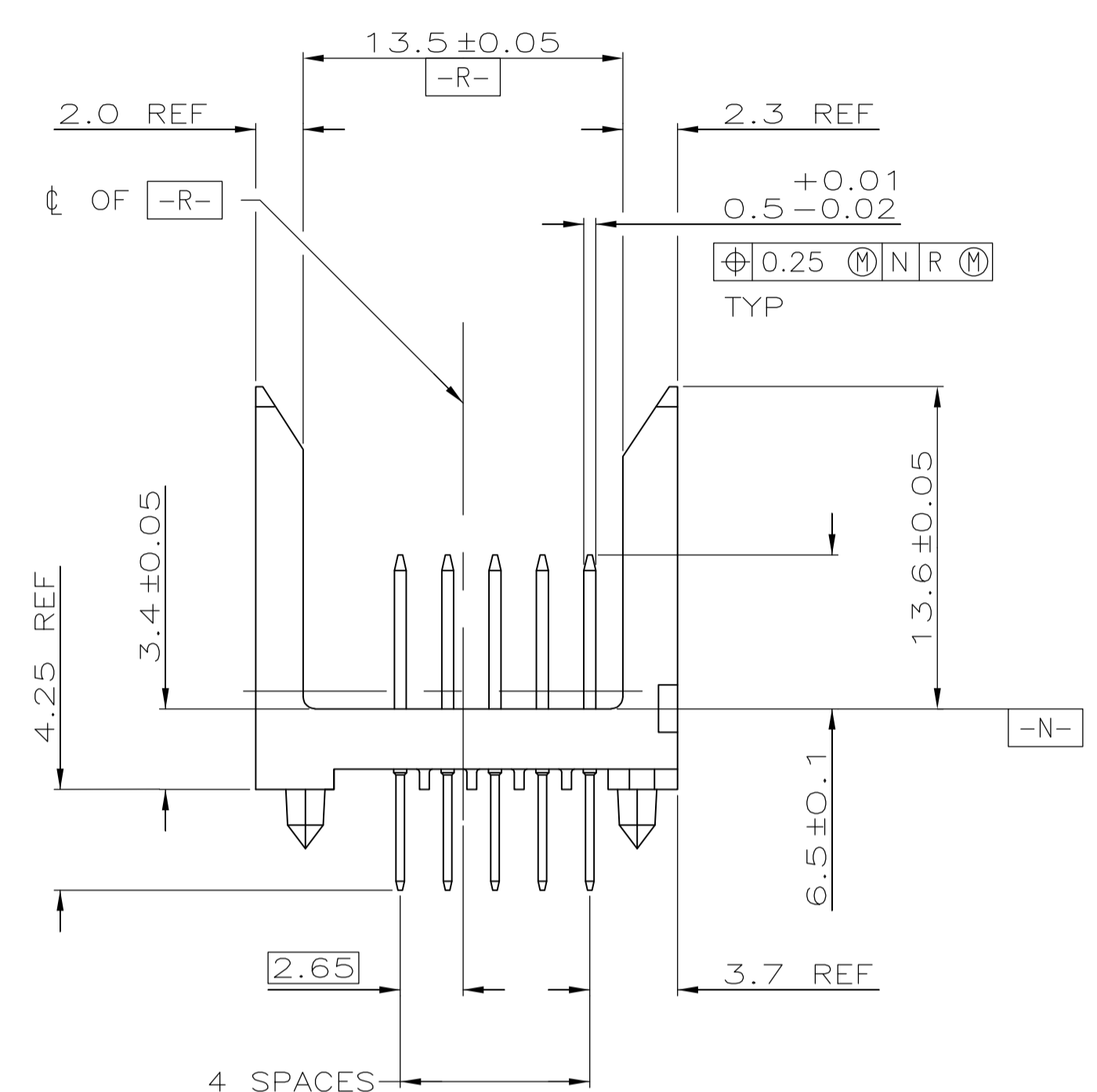
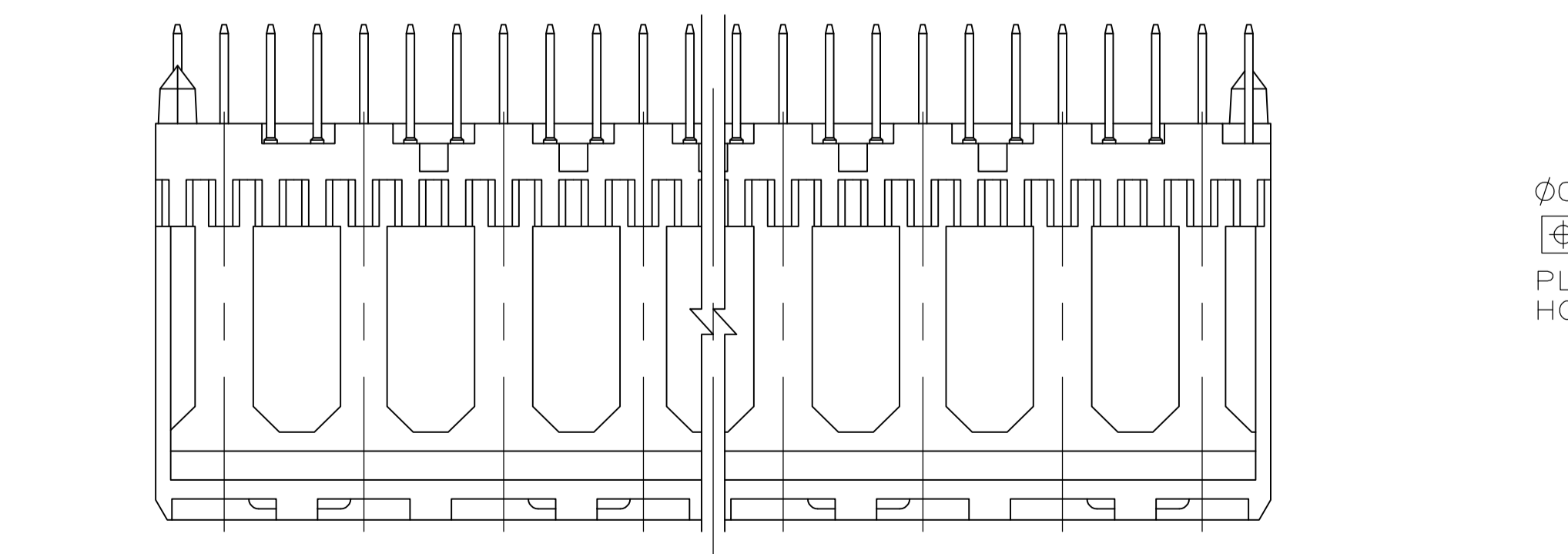
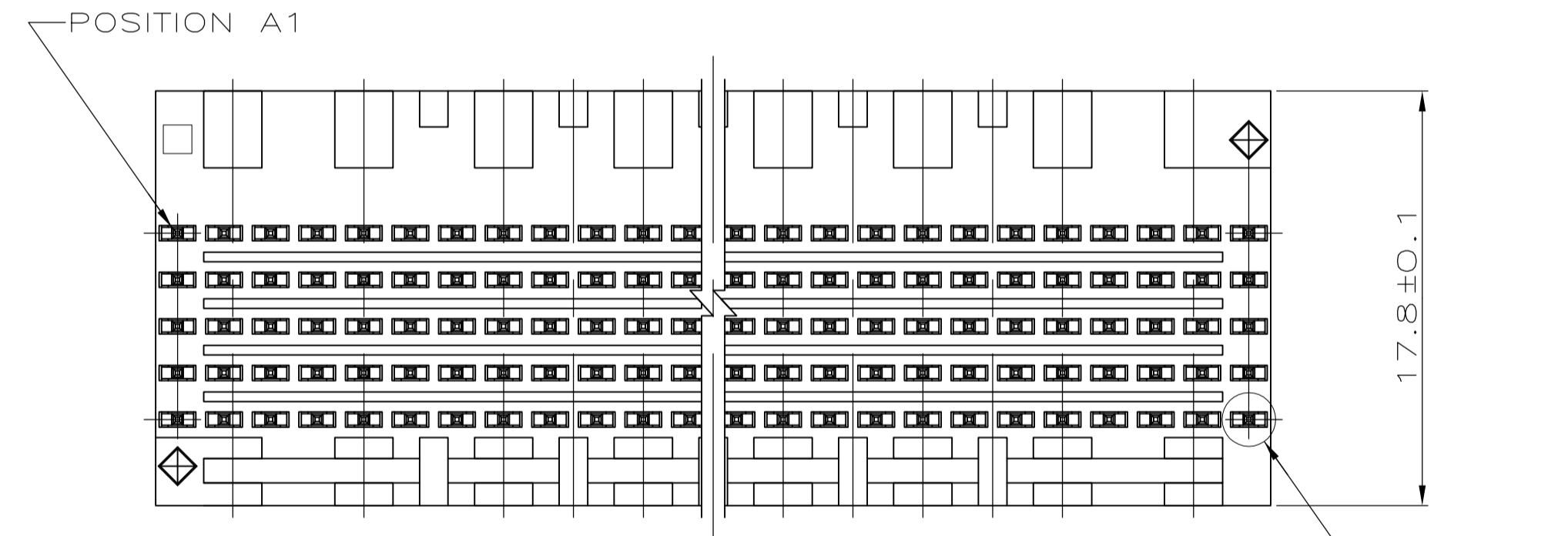
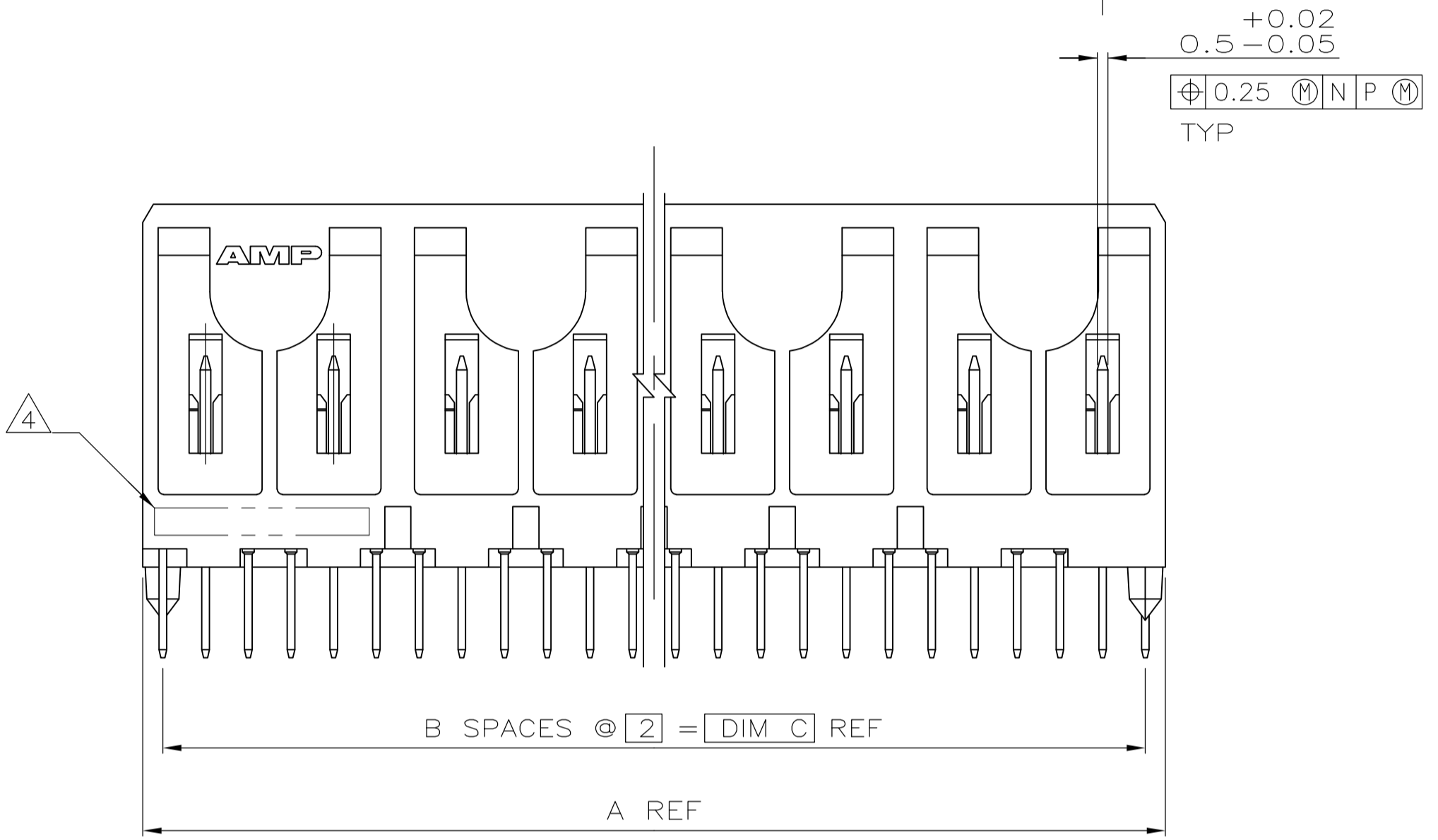
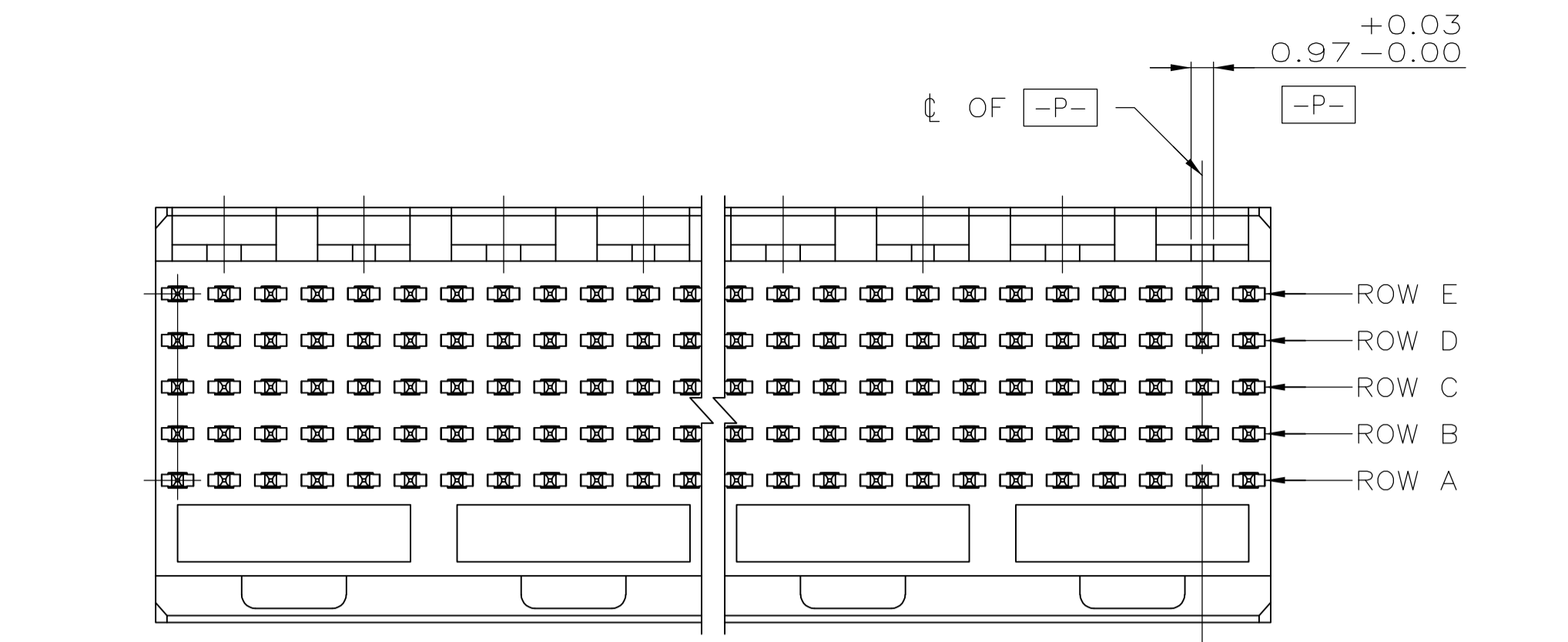
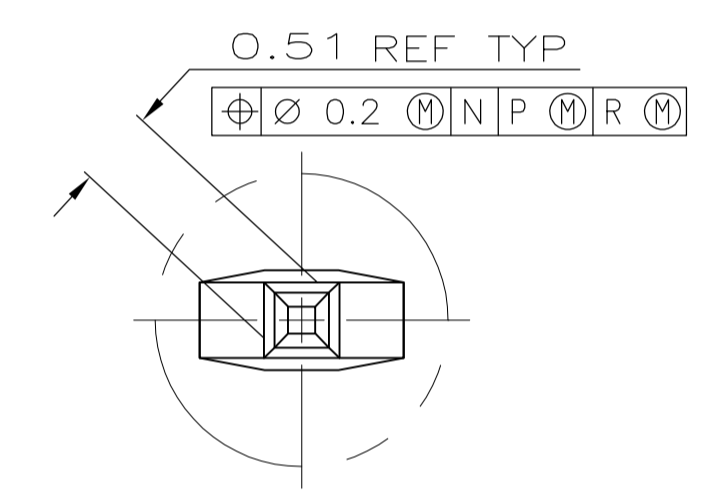


REVISONS		DATE	DMN	APVD
AD	47			
C	REVISED PER EC 0512-0278-05	21JUL05	JDP	RW
C1	REVISED PER ECO-10-000444	16JAN10	KK	AEG



RECOMMENDED CIRCUIT PATTERN (COMPONENT SIDE)

- 1 HOUSING MATERIAL: LIQUID CRYSTAL POLYMER
COLOR: NATURAL.
- 2 CONTACT MATERIAL: PHOSPHOR BRONZE
- 3 CONTACT FINISH:(A)
UNDERPLATE (ENTIRE CONTACT):
0.00127 MIN NICKEL PER SAE-AMS-QQ-N-290
ON MATING SURFACES:
CONFORMS TO ALL TESTING SPECIFIED FOR TELCORDIA
UNCONTROLLED ENVIRONMENT.
ON LEADS:
0.00381 MIN MATTE TIN PER ASTM B 545 OVER UNDERPLATE.
LUBRICATION (MIN MATING SURFACES):
SURFACE CONDITIONER AFTER PLATING.
- 4 PART MARKING LOCATED APPROXIMATELY AS SHOWN.
- 5 OBSOLETE PARTS: OBSOLETE CIS STREAMLINING PER D.RENAUD/D.SINISI



FINISH	NO OF SIGNAL POSN	PART NUMBER
3	330	1-5223000-1
3	300	1-5223000-0
3	270	5223000-9
3	240	5223000-8
3	210	5223000-7
3	180	5223000-6
3	150	5223000-5
3	120	5223000-4
3	90	5223000-3
3	60	5223000-2
3	30	5223000-1

THIS DRAWING IS A CONTROLLED DOCUMENT.

DIMENSIONS: mm
 TOLERANCES UNLESS OTHERWISE SPECIFIED:
 0 PLC ± -
 1 PLC ± -
 2 PLC ± 0.13
 3 PLC ± -
 4 PLC ± -
 ANGLES ± -

MATERIAL: 1 2 3
 FINISH: 3

THIS DRAWING IS A CONTROLLED DOCUMENT.
 DYN B MCMMASTER 19NOV04
 CHK R WERTZ 19NOV04
 APVD R WERTZ 19NOV04
 NAME Tyco Electronics Corporation
 Harrisburg, Pa 17105-3608
 Tyco Electronics Corporation
 HARRISBURG, PA 17105-3608
 ASSEMBLY, PIN, SIGNAL, VERTICAL,
 Z-PACK 2mm FB, 5 ROW,
 SOLDER LEAD
 SIZE: A1
 CAGE CODE: 00779
 DRAWING NO: 5223000
 WEIGHT: -
 CUSTOMER DRAWING
 SCALE: 4:1
 SHEET: 1 of 1
 REV: C1